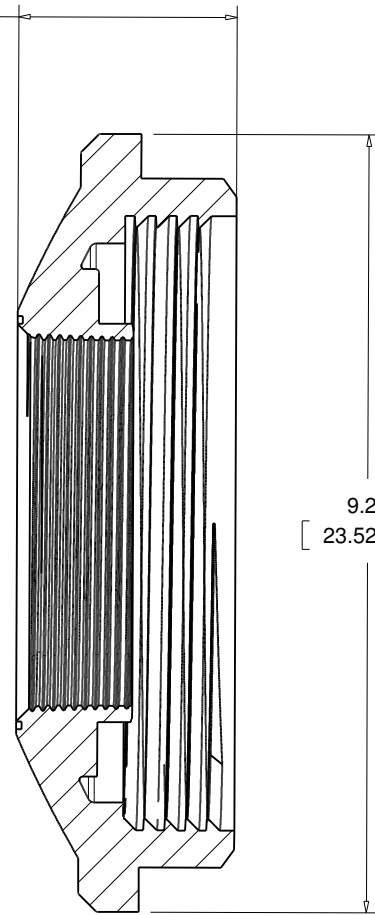
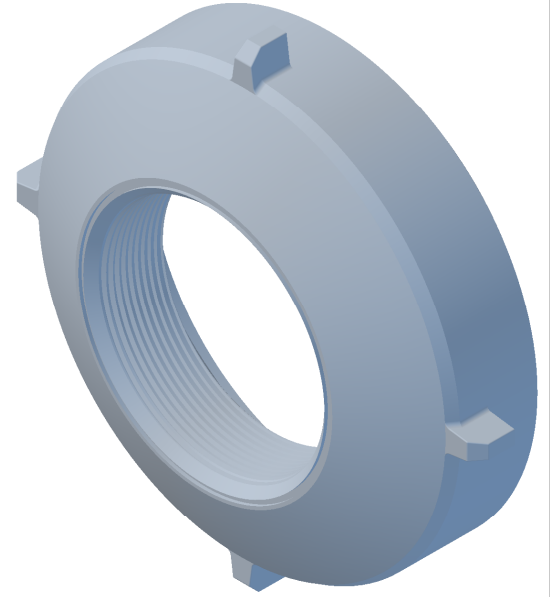


2.60  
[ 6.60 cm ]



9.26  
[ 23.52 cm ]

Section A-A



MATERIAL - GLASS REINFORCED POLYPROPYLENE

**BEE VALVE, INC**



TITLE/DESC  
**CAP  
ADC STRAINER**

MATERIAL  
SEE MATERIAL  
NOTE

THIS DOCUMENT CONTAINS PROPRIETARY INFORMATION AND MAY NOT BE DISCLOSED TO OTHERS FOR ANY PURPOSE, NOR USED FOR MANUFACTURING PURPOSES WITHOUT THE WRITTEN PERMISSION OF BEE VALVE INC

DATE  
07/23/16

PART NO  
**4H842**

REV