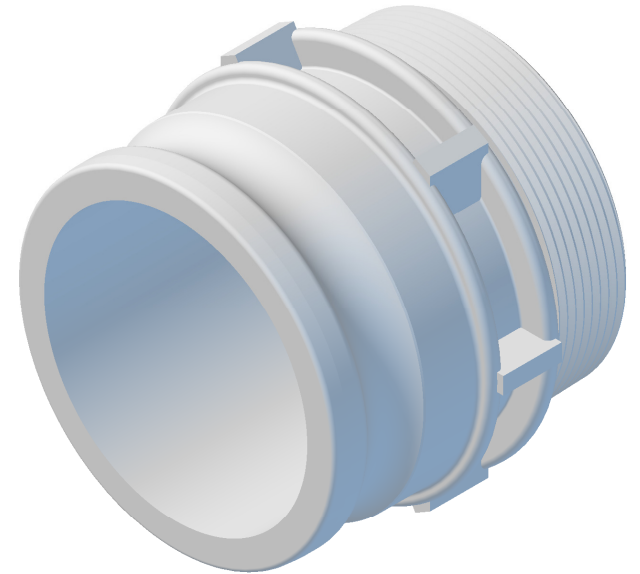


Section A-A



MATERIAL - GLASS REINFORCED NYLON

BEE VALVE, INC

TITLE/DESC

4 " ADAPTER



MATERIAL
SEE MATERIAL
NOTE

THIS DOCUMENT CONTAINS PROPRIETARY INFORMATION AND MAY NOT BE DISCLOSED TO OTHERS FOR ANY PURPOSE, NOR USED FOR MANUFACTURING PURPOSES WITHOUT THE WRITTEN PERMISSION OF BEE VALVE INC

DATE
07/23/16

PART NO
400-F-N-ADC

REV
09/13/17