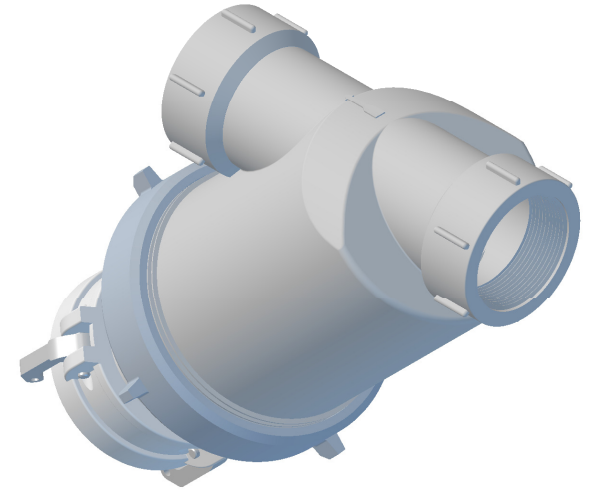


11.52
[29.26 cm]



400-DC
DUST CAP
O-RING

300A-NS
STRAINER BODY/CAP

13.94
[35.42 cm]

4H842
CAP - ADC STRAINER

400-F-N-ADC
4" ADAPTER

4S514-062, 4S514-125
STRAINER SCREENS

10.10 REQUIRED TO
[25.65 cm] REMOVE SCREEN

MATERIAL - GLASS REINFORCED POLYPROPYLENE BODY, CAP AND LATCH
316 STAINLESS STEEL SCREEN, LOCKS AND PINS
EPDM GASKET
VITON O-RING

BEE VALVE, INC



TITLE/DESC

**3" QUICK CLEAN
HIGH CAPACITY
Y - STRAINER**

MATERIAL
SEE MATERIAL
NOTE

THIS DOCUMENT CONTAINS PROPRIETARY INFORMATION AND MAY NOT BE
DISCLOSED TO OTHERS FOR ANY PURPOSE, NOR USED FOR MANUFACTURING
PURPOSES WITHOUT THE WRITTEN PERMISSION OF BEE VALVE INC

DATE
07/21/16

PART NO
300A-ADC

REV