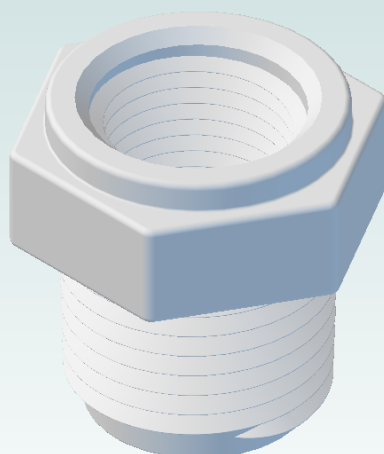




70852 - REDUCER BUSHING - 1/2" X 3/8" NPT - SCHEDULE 80



MATERIAL - POLYPROPYLENE