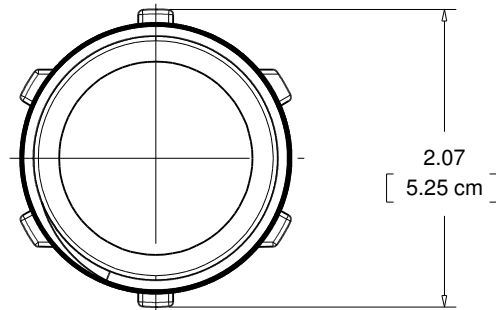


4.00
[10.16cm]



2.07
[5.25 cm]

1 1/2" NPT
BOTH ENDS

BEE VALVE, INC

TITLE/DESC

1 1/2" NPT
PIPE NIPPLE
SCHEDULE 80



MATERIAL
POLYPROPYLENE

THIS DOCUMENT CONTAINS PROPRIETARY INFORMATION AND MAY NOT BE DISCLOSED TO OTHERS FOR ANY PURPOSE, NOR USED FOR MANUFACTURING PURPOSES WITHOUT THE WRITTEN PERMISSION OF BEE VALVE INC

DATE
10/15/19

PART NO
70838

REV