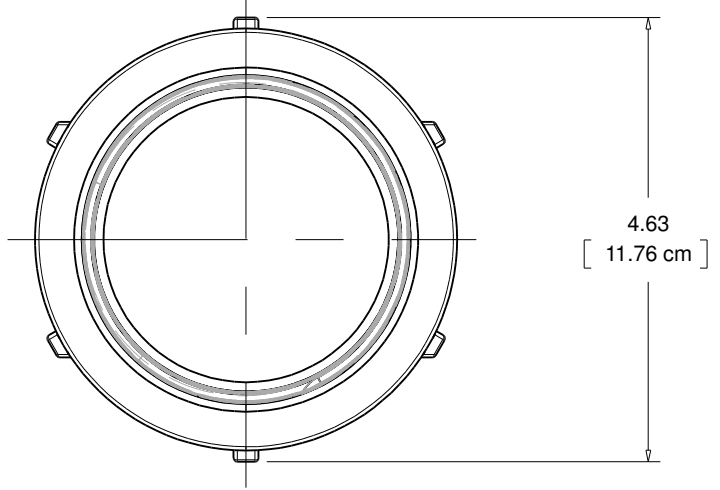



3" NPT  
BOTH ENDS



<b>BEE VALVE, INC</b>		
<small>TITLE/DESC</small> <b>3" NPT PIPE COUPLING SCHEDULE 80</b>		
<small>DATE</small> 10/17/19	<small>PART NO</small> <b>70883</b>	<small>REV</small>

THIS DOCUMENT CONTAINS PROPRIETARY INFORMATION AND MAY NOT BE DISCLOSED TO OTHERS FOR ANY PURPOSE, NOR USED FOR MANUFACTURING PURPOSES WITHOUT THE WRITTEN PERMISSION OF BEE VALVE INC