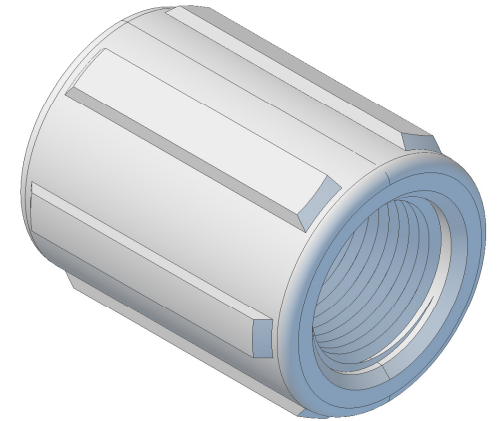
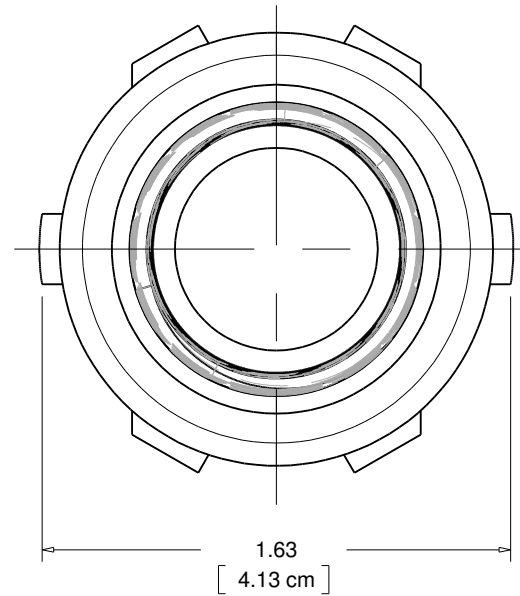


3/4" NPT
BOTH ENDS



BEE VALVE, INC

TITLE/DESC

3/4" NPT
PIPE COUPLING
SCHEDULE 80



MATERIAL
POLYPROPYLENE

THIS DOCUMENT CONTAINS PROPRIETARY INFORMATION AND MAY NOT BE DISCLOSED TO OTHERS FOR ANY PURPOSE, NOR USED FOR MANUFACTURING PURPOSES WITHOUT THE WRITTEN PERMISSION OF BEE VALVE INC

DATE
10/07/19

PART NO
70878

REV