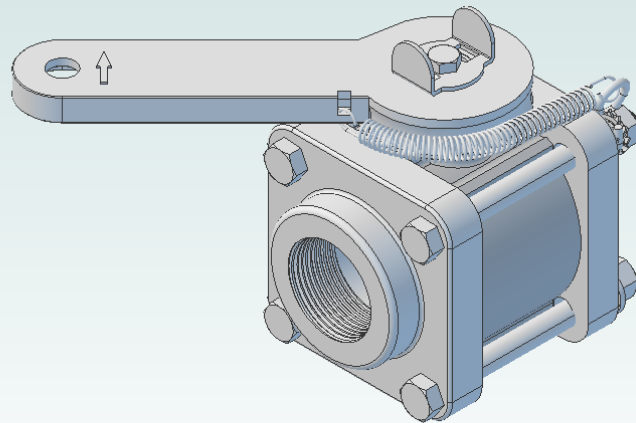


4012T-20 - 1 1/4" RATCHET RETURN BALL VALVE



MATERIAL - POLYPRO
POLYTEF
VITON
SS HARDWARE