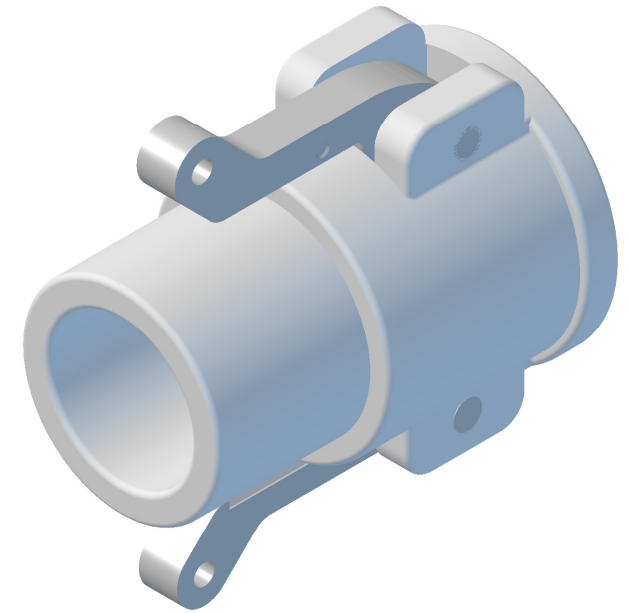



Section A-A



BEE VALVE, INC		
TITLE/DESC Y STYLE CAM COUPLER		
DATE 04/21/16		MATERIAL PVC
PART NO 050-Y		REV

THIS DOCUMENT CONTAINS PROPRIETARY INFORMATION AND MAY NOT BE DISCLOSED TO OTHERS FOR ANY PURPOSE, NOR USED FOR MANUFACTURING PURPOSES WITHOUT THE WRITTEN PERMISSION OF BEE VALVE INC