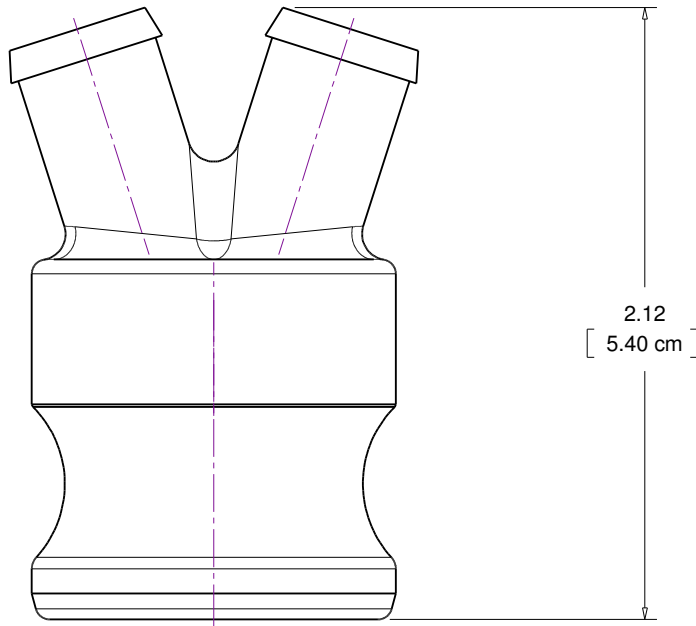
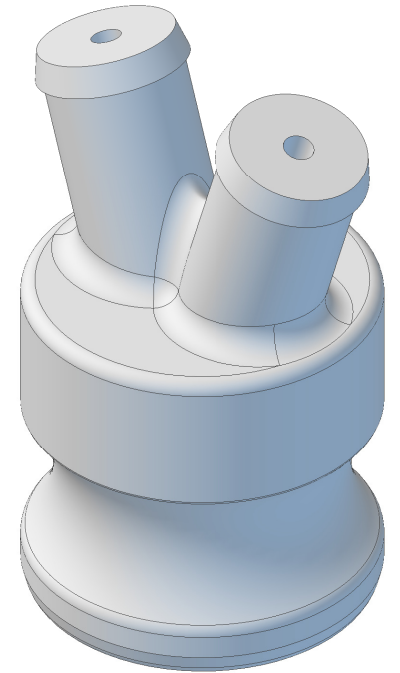


ORIFICE DIA - 7/64"  
[ 0.28 cm ]



2.12  
[ 5.40 cm ]

**BEE VALVE, INC**

TITLE/DESC

**NOZZLE TIP  
DOUBLE**



MATERIAL  
NYLON

THIS DOCUMENT CONTAINS PROPRIETARY INFORMATION AND MAY NOT BE DISCLOSED TO OTHERS FOR ANY PURPOSE, NOR USED FOR MANUFACTURING PURPOSES WITHOUT THE WRITTEN PERMISSION OF BEE VALVE INC

DATE

02/13/17

PART NO

**075DJN-020**

REV