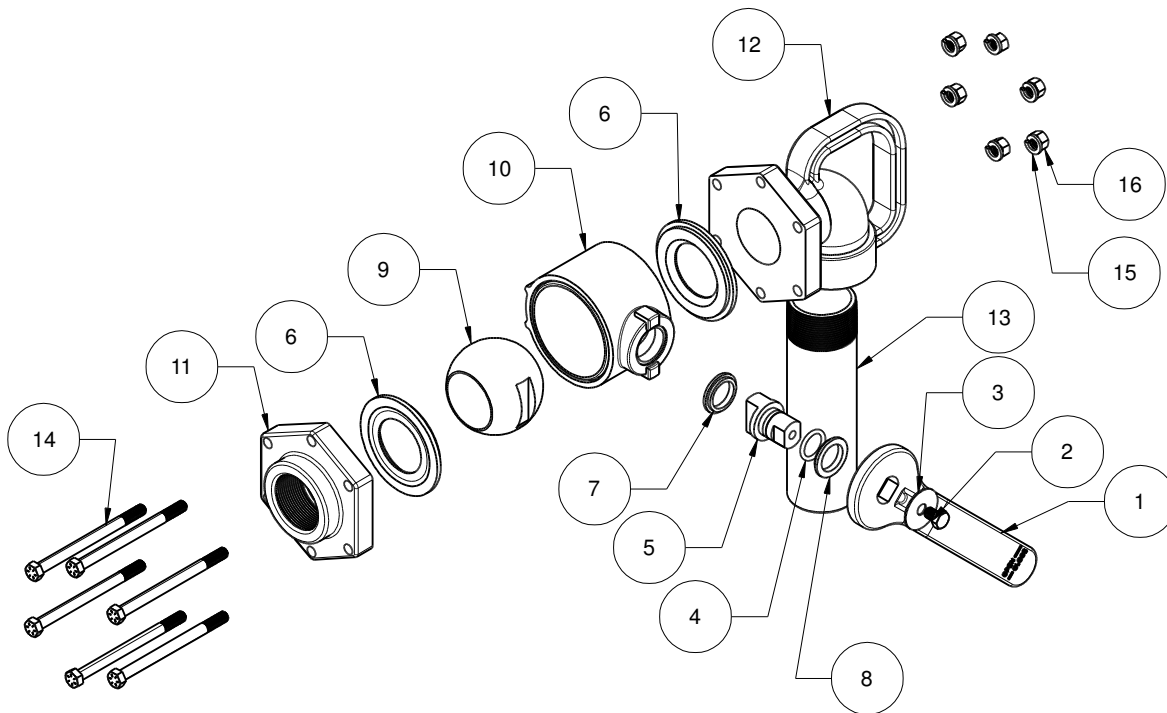


ITEM No	QUANTITY	DESCRIPTION	PART No
1	1	HANDLE, RED POLYPRO	4L101-00
2	1	SS BOLT, HANDLE	4H010-00
3	1	SS WASHER, HANDLE	4H016-00
4	1	VITON O-RING, SHAFT	4H038-00
5	1	SHAFT, POLYPRO	4S301-00
6	2	SEAT, POLYTEF	4S101-20
7	1	LOWER BEARING, POLYTEF	4B301-20
8	1	UPPER BEARING, POLYTEF	4H013-20
9	1	BALL, POLYTEF	4B101-00
10	1	BODY, POLYPRO	4B201-00
11	1	END CAP, POLYPRO	4E104-00
12	1	END CAP, NOZZLE, POLYPRO	4E113-00
13	1	SPOUT, POLYPRO	4S101-00
14	6	BOLT, CAD	4H001-00
15	6	WASHER, CAD	4H017-00
16	6	NUT, CAD	4H024-00



BEE VALVE, INC		
TITLE/DESC 2 INCH NOZZLE VALVE		
DATE 07/16/17		MATERIAL SEE PARTS TABLE
PART NO 4011P-20		REV

THIS DOCUMENT CONTAINS PROPRIETARY INFORMATION AND MAY NOT BE DISCLOSED TO OTHERS FOR ANY PURPOSE, NOR USED FOR MANUFACTURING PURPOSES WITHOUT THE WRITTEN PERMISSION OF BEE VALVE INC