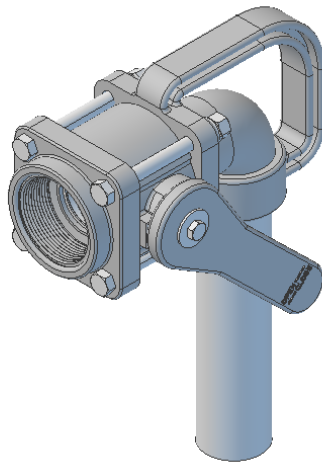




4011K-20 - 1 1/2 INCH FULL PORT w/NOZZLE



MATERIAL - POLYPRO  
POLYTEF  
VITON  
CAD HARDWARE