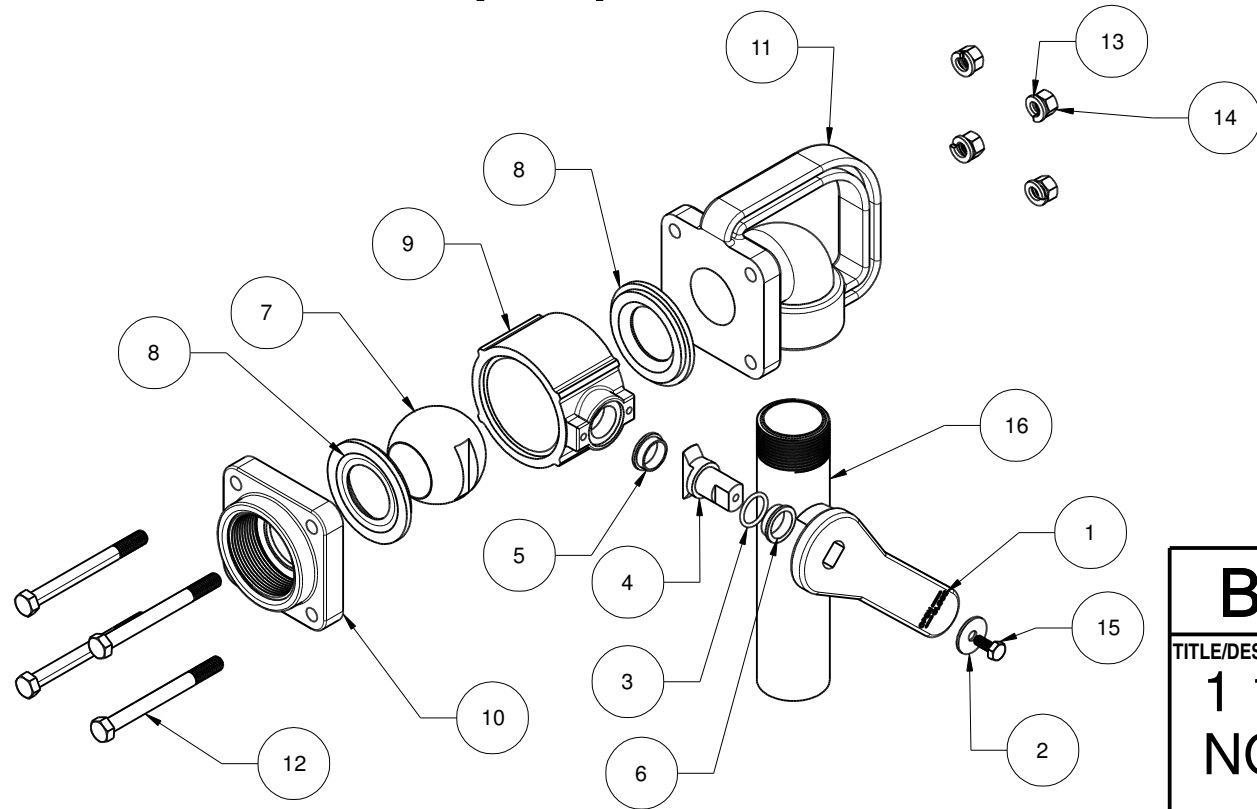



ITEM NO	QUANTITY	DESCRIPTION	PART NO
1	1	HANDLE, GREEN POLYPRO	4L101-00
2	1	SS WASHER, HANDLE	4H016-00F
3	1	VITON, O-RING, SHAFT	4H038-00
4	1	SHAFT, POLYPRO	4S301-00
5	1	LOWER BEARING, POLYTEF	4B301-20
6	1	UPPER BEARING, POLYTEF	4H013-20
7	1	BALL, POLYTEF	4B101-00
8	2	SEAT, POLYTEF	4S101-20
9	1	BODY, POLYPRO	4B201-00
10	1	END CAP, POLYPRO	4E103-00
11	1	END CAP HANDLE	4L103-00
12	4	BOLT, CAD	4H101-00
13	4	WASHER, CAD	4H017-00
14	4	NUT, CAD	4H024-00
15	1	SS BOLT, HANDLE	4H010-00
16	1	SPOUT	4S400-00



<b>BEE VALVE, INC</b>		
TITLE/DESC <b>1 1/2 INCH NOZZLE VALVE</b>		
DATE 07/12/17		PART NO <b>4011K-20</b>
THIS DOCUMENT CONTAINS PROPRIETARY INFORMATION AND MAY NOT BE DISCLOSED TO OTHERS FOR ANY PURPOSE, NOR USED FOR MANUFACTURING PURPOSES WITHOUT THE WRITTEN PERMISSION OF BEE VALVE INC		MATERIAL SEE PARTS TABLE
REV		REV