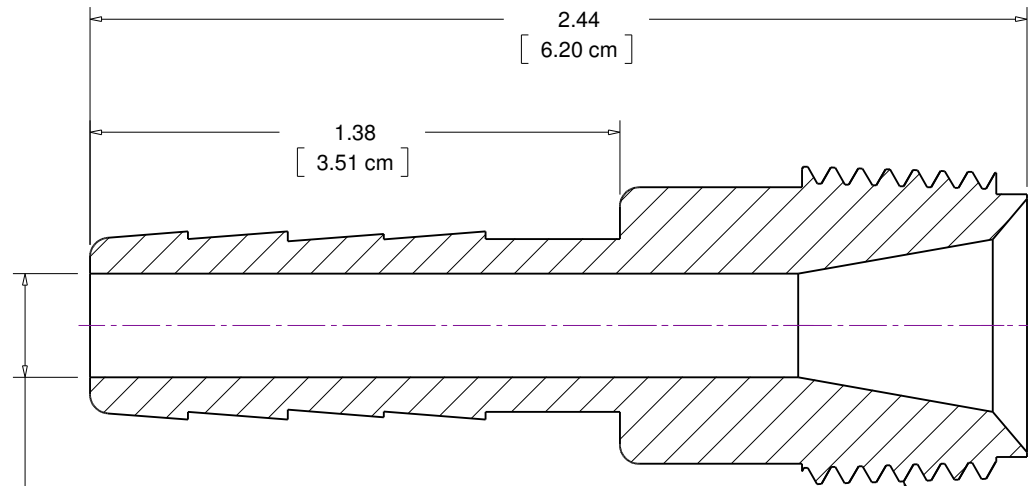


Ø0.27
[Ø0.69 cm]



Section A-A

1/2" NPT

BEE VALVE, INC



MATERIAL (*) DESIGNATION

(M) = POLYGLASS (N) = NYGLASS
(F) = FOODFLO (V) = PVDF
(SS) = STAINLESS STEEL

TITLE/DESC

**HOSE NIPPLE
NPT x HOSE BARB**

**MATERIAL
SEE MATERIAL
TABLE (*)**

THIS DOCUMENT CONTAINS PROPRIETARY INFORMATION AND MAY NOT BE DISCLOSED TO OTHERS FOR ANY PURPOSE, NOR USED FOR MANUFACTURING PURPOSES WITHOUT THE WRITTEN PERMISSION OF BEE VALVE INC

DATE
12/02/16

PART NO
050 HN-(*)

REV