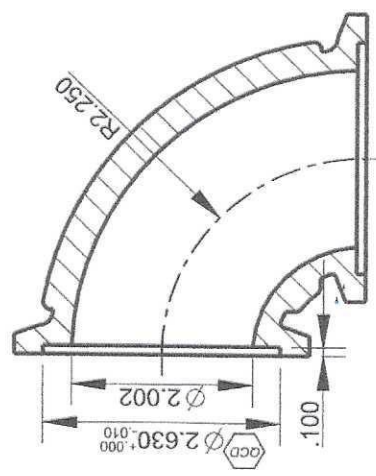
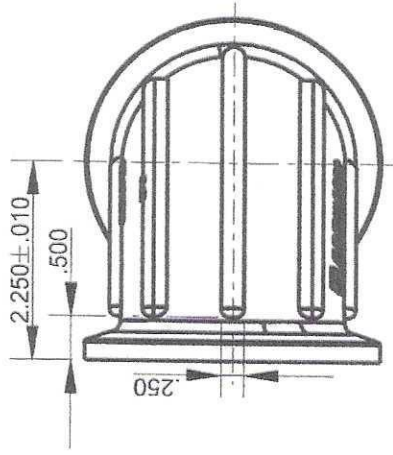


DO NOT SCALE

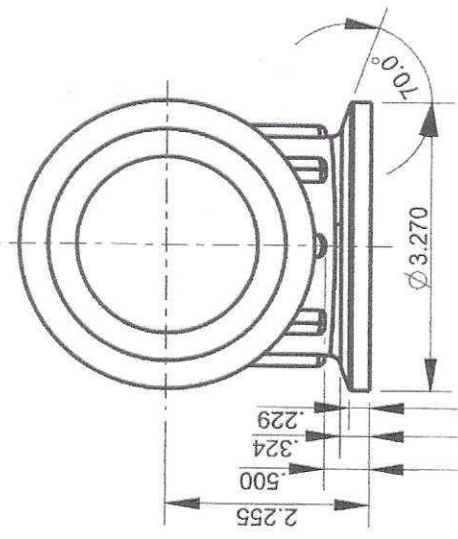
1 2 3 4 5 6

REVISIONS

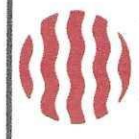
REV	DESCRIPTION	DATE	ENGINEER APPROVED



SECTION A-A
SCALE 1:2



- NOTE:
1. MATERIAL GRADE DETAIL: PP+20%GF, POLYALLOY
 2. COLOR OF COMPONENT: BLACK
 3. SPECIFY MAXIMUM FLASHES/BURRS: 0.002 inch.
 4. (MCP) INDICATE CRITICAL DIMENSIONS.
 5. COMPONENT TO BE FREE OF DIRT, DUST, OIL AND GREASE ETC.
 6. DRAFT TO BE 1° UNLESS OTHERWISE SPECIFIED.



BEE VALVE INC.

PROJECTION REV. 00.
SHEETS 1 OF 1

MATERIAL	PP+GF	DRAWING NUMBER	64484
FINISH	N/A	PART NAME	2" Full Port Flange
GENERAL TOLERANCE (UNLESS OTHERWISE SPECIFIED)		DESIGNED	DATE 2019-05-16
DIN 16901		CHECKED	DATE
CLASS 120		APPROVED	DATE
UNIT	INCH	DENSITY (g/cm ³)	1.05
SCALE	1/2	VOLUME (cm ³)	132.71
SIZE	A4	MASS (g)	139.35

A B C D 1 2 3 4 5 6