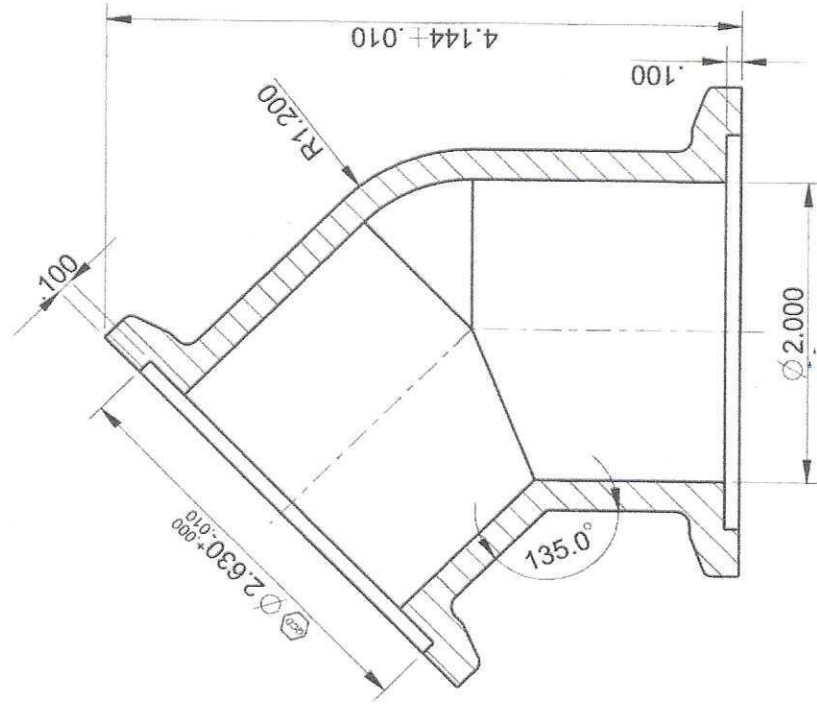
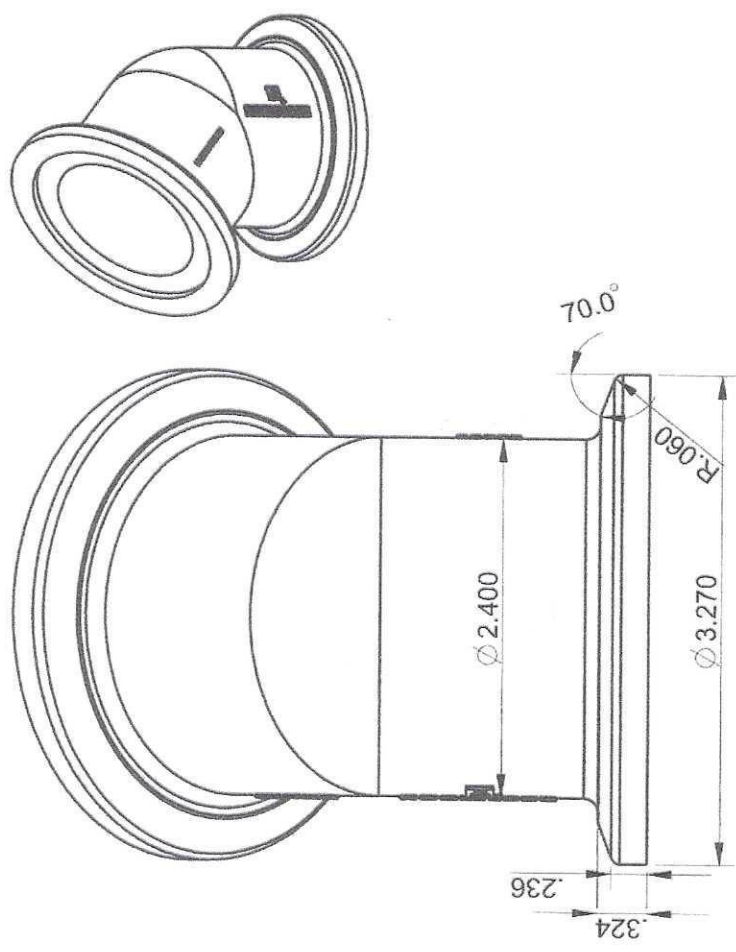


DO NOT SCALE



SECTION A-A
SCALE 1.2:1

- NOTE:
1. MATERIAL GRADE DETAIL: PP+20%GF, POLYALLOY
 2. COLOR OF COMPONENT: BLACK
 3. SPECIFY MAXIMUM FLASHES/BURRS: 0.002 inch.
 4. $\text{\textcircled{M}}$ INDICATE CRITICAL DIMENSIONS.
 5. COMPONENT TO BE FREE OF DIRT, DUST, OIL AND GREASE ETC.
 6. DRAFT TO BE 1° UNLESS OTHERWISE SPECIFIED.



ZONE	ECN NUMBER	REV	DESCRIPTION	DATE	ENGINEER APPROVED

MATERIAL	PP+20%GF	DRAWING NUMBER	64483
FINISH	N/A	PART NAME	2" X 2" Full Port 45°X Flange
UNIT	INCH	DESIGNED	DATE
SCALE	6/5	CHECKED	DATE
SIZE	A3	APPROVED	DATE
DIN 16901		DENSITY (G/CM ³)	1.05
CLASS 120		VOLUME (CM ³)	108.43
		MASS	113.85
		PROJECTION	REV 00
			SHEETS
			1 OF 1



BEE VALVE INC.
PROJECTION REV 00
SHEETS 1 OF 1