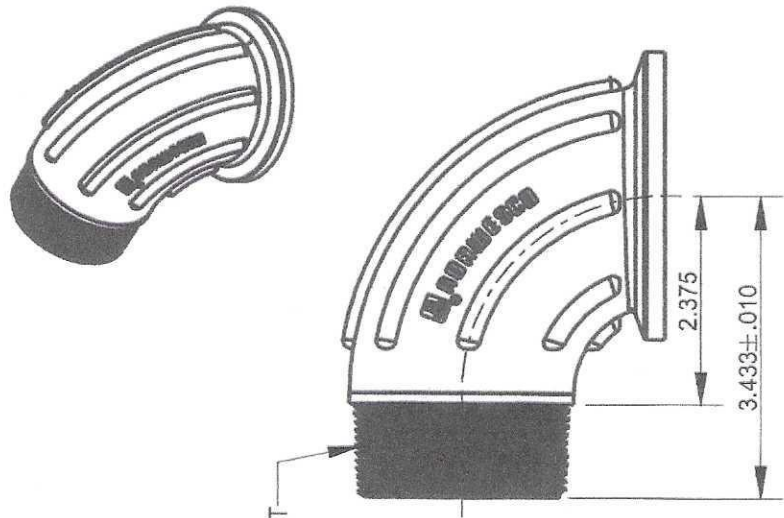
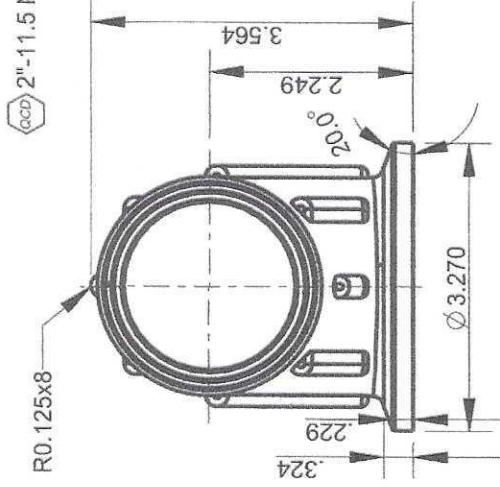
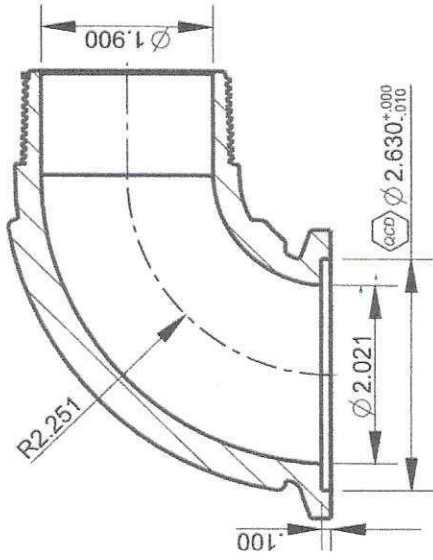
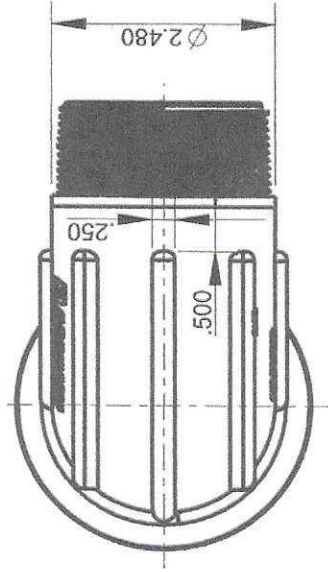


DO NOT SCALE

REVISIONS		DATE	ENGINEER APPROVED
REV	DESCRIPTION		



SECTION A-A

- NOTE:
1. MATERIAL GRADE DETAIL: PP+20%GF, POLYALLOY
 2. COLOR OF COMPONENT: BLACK
 3. SPECIFY MAXIMUM FLASHES/BURRS :0.002 inch.
 4. (cc) INDICATE CRITICAL DIMENSIONS.
 5. COMPONENT TO BE FREE OF DIRT, DUST, OIL AND GREASE ETC.
 6. DRAFT TO BE 1° UNLESS OTHERWISE SPECIFIED.

MATERIAL	PP+GF	DRAWING NUMBER	64406
FINISH	N/A	PART NAME	2"-NPT Full Port Flange
GENERAL TOLERANCE (UNLESS OTHERWISE SPECIFIED)		DESIGNED	DATE
		DENSITY (g/cm ³)	2019-05-20
DIN 16901		VOLUME (cm ³)	DATE
CLASS 120		SCALE	DATE
		1/2	DATE
		SIZE	DATE
		A4	DATE
		MASS (g)	DATE
		158.77	DATE



BEE VALVE INC.

PROJECTION REV. 00
SHEETS 1 OF 1