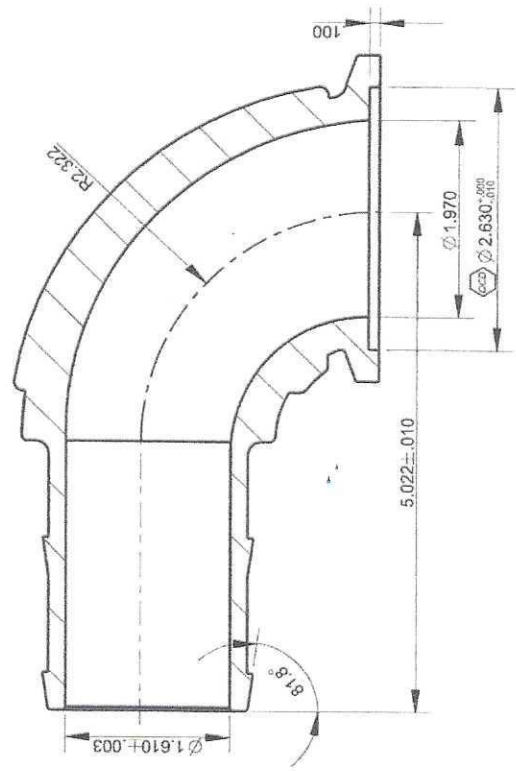
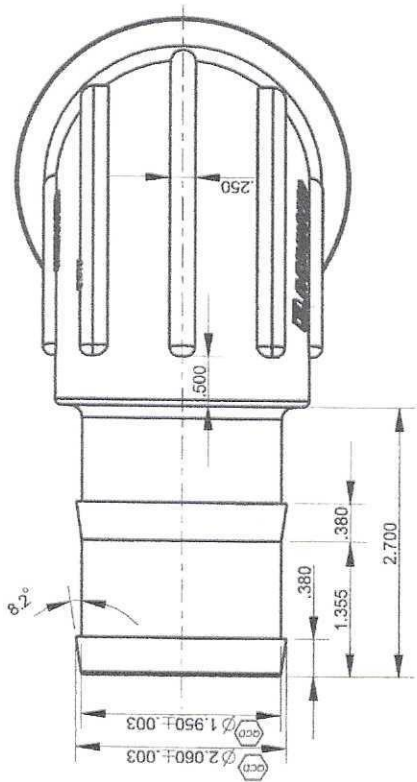
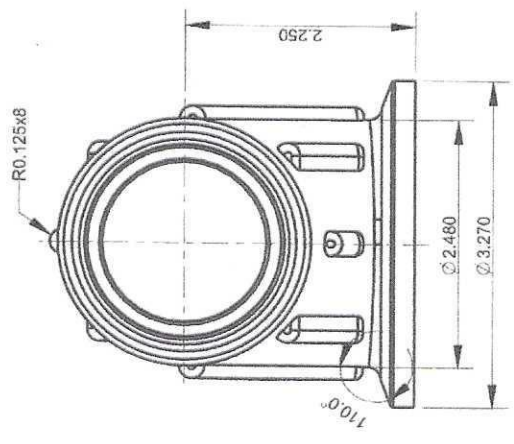


DO NOT SCALE



SECTION A-A
SCALE 1:1.25



REVISIONS		DATE	ENGINEER APPROVED
ZONE	ECN NUMBER	REV	DESCRIPTION

MATERIAL	PP+GF	DRAWING NUMBER	64405
FINISH	N/A	PART NAME	2" Full Port Flange
GENERAL TOLERANCES UNLESS OTHERWISE SPECIFIED		DENSITY (g/cm ³)	1.05
		VOLUME (cm ³)	198.64
		MASS (g)	206.57
		INCH	6/16
		SCALE	A3
		DESIGNED	2019-05-20
		CHECKED	
		APPROVED	



BEE VALVE INC.
PROJECTION REV. 00
SHEETS 1 OF 1

- NOTE:
1. MATERIAL GRADE DETAIL: PP+20%GF, POLYALLOY
 2. COLOR OF COMPONENT: BLACK
 3. SPECIFY MAXIMUM FLASHES/BURRS -0.002 inch.
 4. Ⓢ INDICATE CRITICAL DIMENSIONS.
 5. COMPONENT TO BE FREE OF DIRT, DUST, OIL AND GREASE ETC.
 6. DRAFT TO BE 1° UNLESS OTHERWISE SPECIFIED.