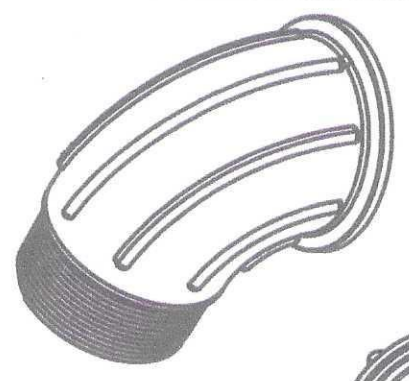
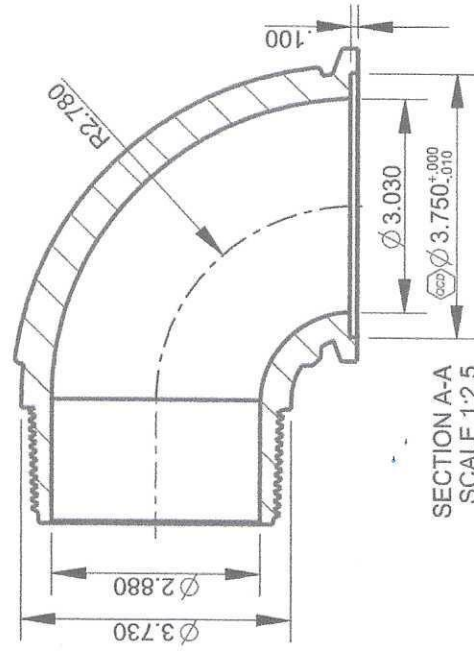
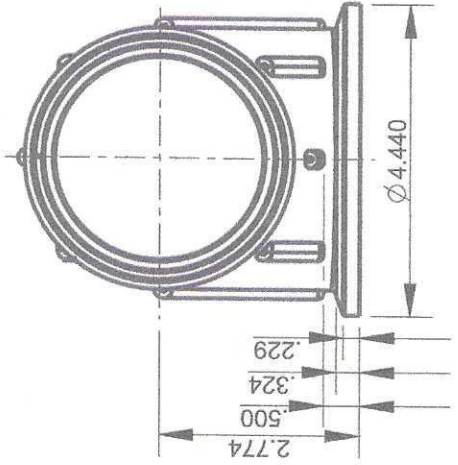
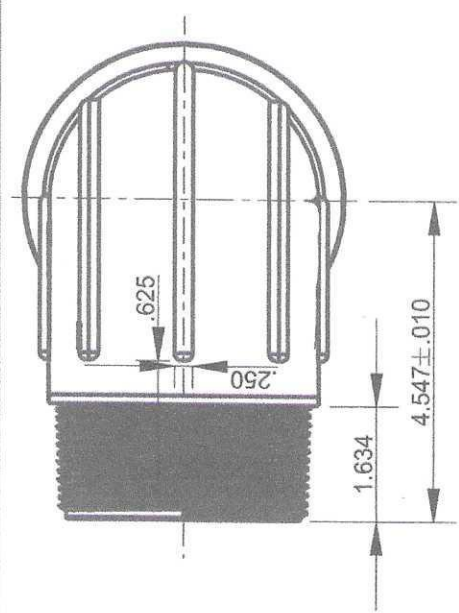


DO NOT SCALE

REVISIONS		
REV	DESCRIPTION	DATE



NOTE:  
 1. MATERIAL GRADE DETAIL: PP+20%GF, POLYALLOY  
 2. COLOR OF COMPONENT: BLACK  
 3. SPECIFY MAXIMUM FLASHES/BURRS :0.002 inch.  
 4.  $\varnothing$  INDICATE CRITICAL DIMENSIONS.  
 5. COMPONENT TO BE FREE OF DIRT, DUST, OIL AND GREASE ETC.  
 6. DRAFT TO BE 1° UNLESS OTHERWISE SPECIFIED.

MATERIAL	PP+GF	DRAWING NUMBER	64403
FINISH	N/A	PART NAME	3"-NPT Flange
GENERAL TOLERANCE (UNLESS OTHERWISE SPECIFIED)	DIN 16901 CLASS 120	DESIGNED	DATE 2019-05-16
UNIT	INCH	CHECKED	DATE
SCALE	1/4	APPROVED	DATE
SIZE	A4	DENSITY (g/cm <sup>3</sup> )	1.05
		VOLUME (cm <sup>3</sup> )	391.98
		MASS (g)	411.58



PROJECTION REV. 00  
 SHEETS 1 OF 1