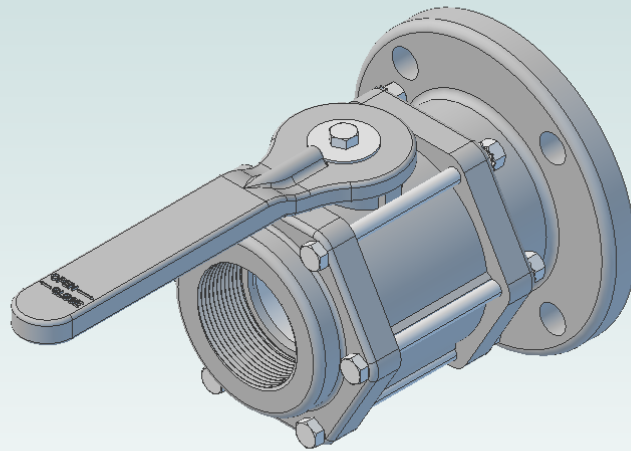


6011W-20 - 2 1/2" FLANGED BALL VALVE



MATERIAL - POLYPRO
POLYTEF
VITON
CAD HARDWARE