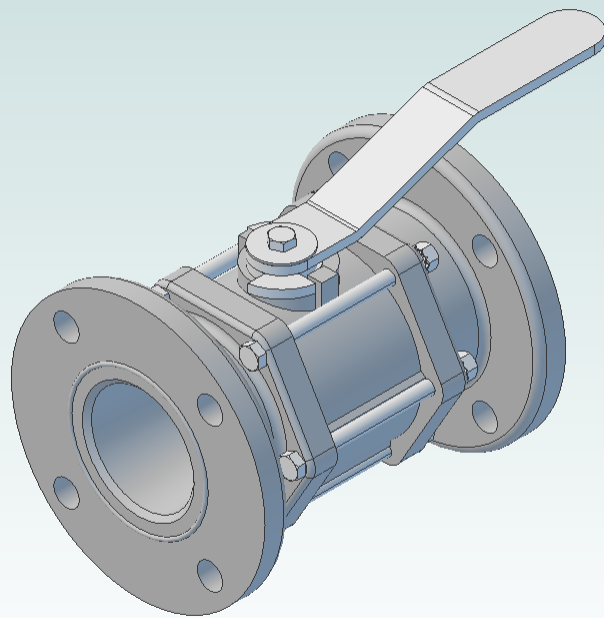


4011M-20 - 3: FLANGED BALL VALVE (BOTH ENDS)



MQATERIAL - POLYPRO  
POLYTEF  
VITON  
CAD HARDWARE