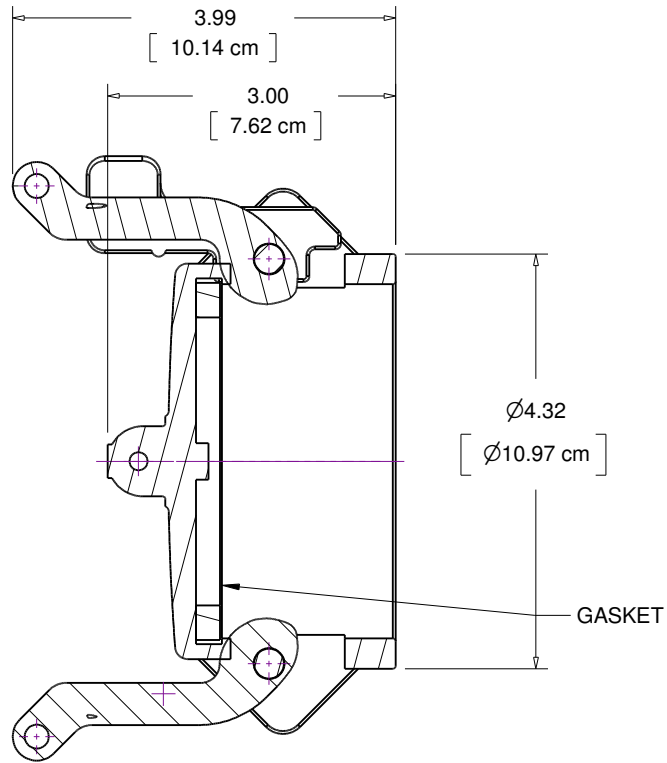


6.24  
[15.84 cm]  
HANDLES CLOSED



Section A-A

MATERIAL (\*) DESIGNATION

(M) = POLYGLASS (N) = NYGLASS  
(F) = FOODFLO (V) = PVDF

**BEE VALVE, INC**

TITLE/DESC

**FEMALE COUPLER  
CAP**



**MATERIAL  
SEE MATERIAL  
TABLE (\*)**

THIS DOCUMENT CONTAINS PROPRIETARY INFORMATION AND MAY NOT BE DISCLOSED TO OTHERS FOR ANY PURPOSE, NOR USED FOR MANUFACTURING PURPOSES WITHOUT THE WRITTEN PERMISSION OF BEE VALVE INC

DATE  
01/26/16

PART NO  
**300DC-(\* )**

REV