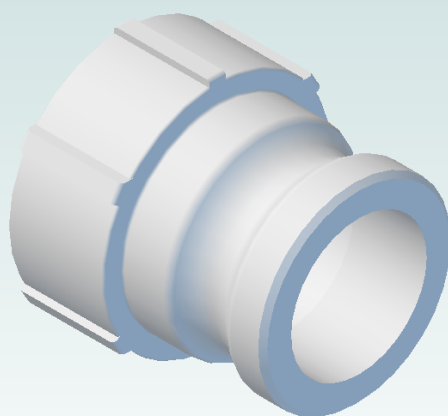




200A-(*) MALE ADAPTER/FEMALE THREAD



MATERIAL (*) DESIGNATION
(M) - POLYGLASS
(N) - NYGLASS
(F) - FOODFLO
(V) - PVDF