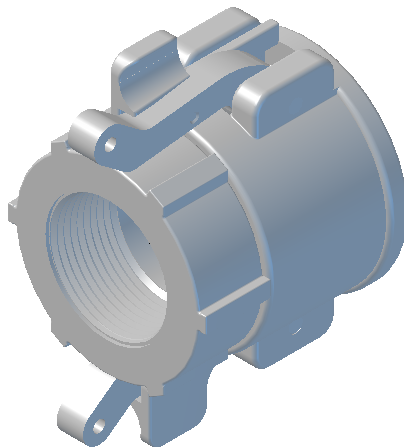


125D-(*) FEMALE COUPLER/ FEMALE THREAD



MATERIAL (*) DESIGNATION

(M) = POLYGLASS

(N) = NYGLASS

(F) = FOODFLO

(V) = PVDF