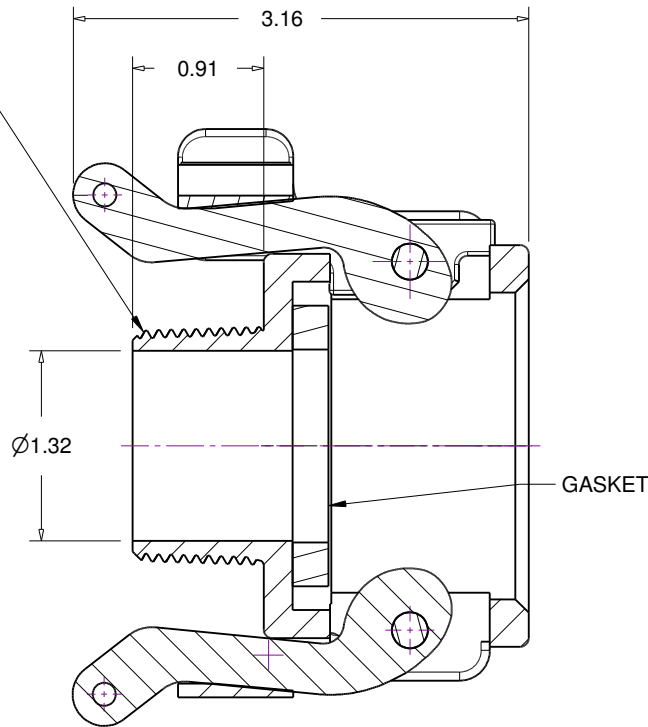
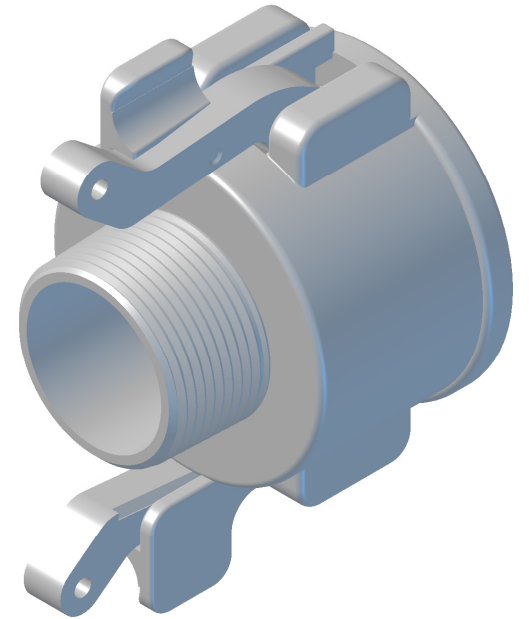


1 1/4" NPT



Section A-A



BEE VALVE, INC

TITLE/DESC

**FEMALE COUPLER
MALE THREAD**



MATERIAL
SEE MATERIAL
TABLE (*)

MATERIAL (*) DESIGNATION

(M) = POLYGLASS (N) = NYGLASS

(F) = FOODFLO (V) = PVDF

THIS DOCUMENT CONTAINS PROPRIETARY INFORMATION AND MAY NOT BE DISCLOSED TO OTHERS FOR ANY PURPOSE, NOR USED FOR MANUFACTURING PURPOSES WITHOUT THE WRITTEN PERMISSION OF BEE VALVE INC

DATE

12/08/15

PART NO

125B-(*)

REV