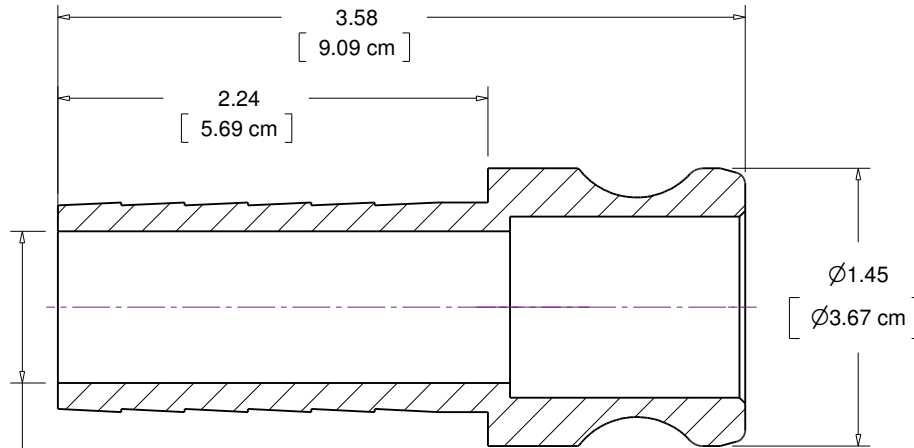


$\varnothing 0.79$
 $[\varnothing 2.01 \text{ cm}]$



Section A-A

BEE VALVE, INC

TITLE/DESC

**MALE ADAPTER
HOSE SHANK**



**MATERIAL
SEE MATERIAL
TABLE (*)**

MATERIAL (*) DESIGNATION

(M) = POLYGLASS (N) = NYGLASS

(F) = FOODFLO (V) = PVDF

THIS DOCUMENT CONTAINS PROPRIETARY INFORMATION AND MAY NOT BE DISCLOSED TO OTHERS FOR ANY PURPOSE, NOR USED FOR MANUFACTURING PURPOSES WITHOUT THE WRITTEN PERMISSION OF BEE VALVE INC

DATE
01/05/16

PART NO
100E-(*)

REV