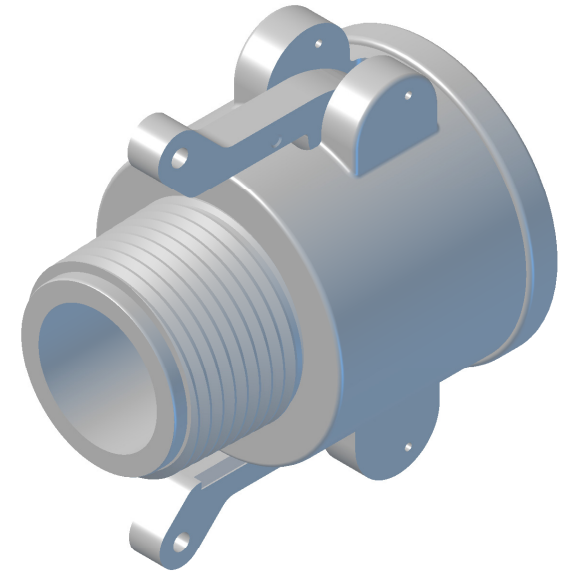



**Section A-A**



<b>MATERIAL (*) DESIGNATION</b>	
(M) = POLYGLASS	(N) = NYGLASS
(F) = FOODFLO	(V) = PVDF

<b>BEE VALVE, INC</b>			
TITLE/DESC			
<b>FEMALE COUPLING MALE THREAD</b>		MATERIAL SEE MATERIAL TABLE (*)	
THIS DOCUMENT CONTAINS PROPRIETARY INFORMATION AND MAY NOT BE DISCLOSED TO OTHERS FOR ANY PURPOSE, NOR USED FOR MANUFACTURING PURPOSES WITHOUT THE WRITTEN PERMISSION OF BEE VALVE INC	DATE 12/08/15	PART NO <b>100B-(*)</b>	REV