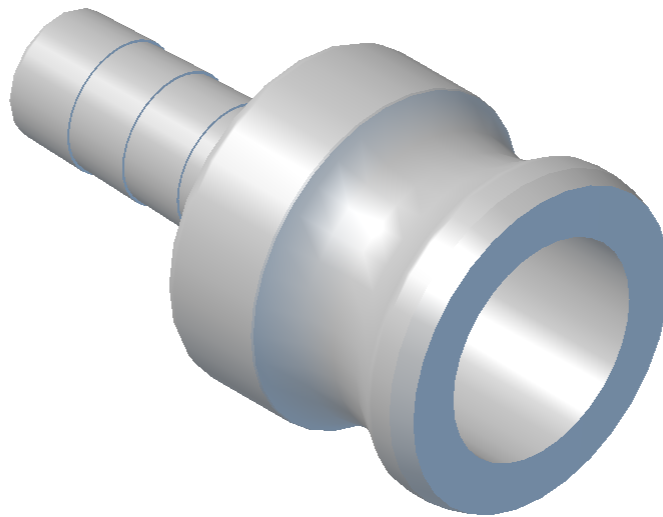


050E-(\*) MALE ADAPTER/ HOSE SHANK



MATERIAL (\*) DESIGNATION

(M) = POLYGLASS

(N) = NYGLASS

(F) = FOODFLO

(V) = PVDF