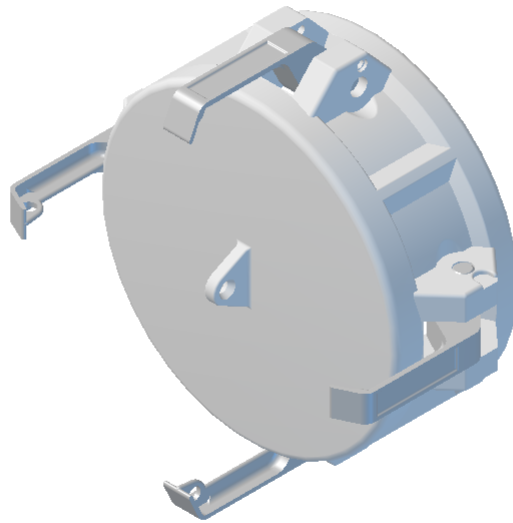


404 DC-N FEMALE COUPLER CAP



MATERIAL - NYLON, GLASS FILLED