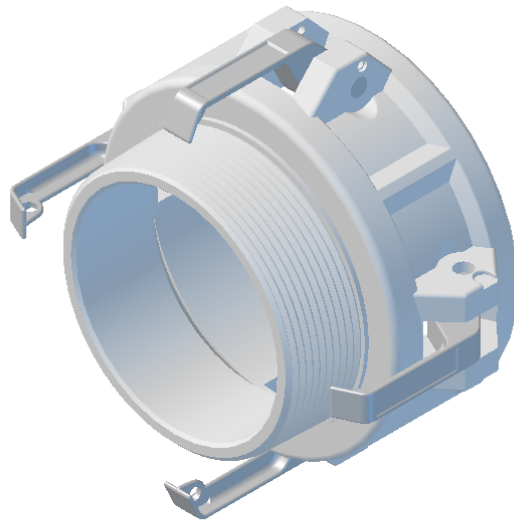


404 B-N FEMALE COUPLER/ MALE THREAD



MATERIAL - NYLON, GLASS FILLED