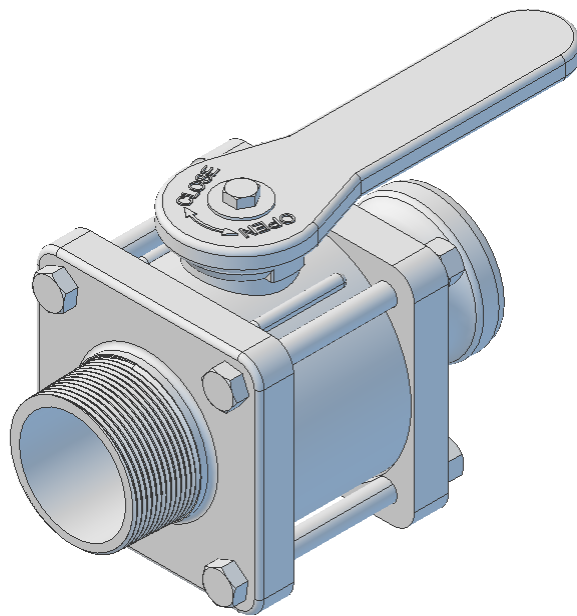


32112-C, 2 INCH BALL VALVE



MATERIAL - POLYPRO  
TEFLON  
VITON  
SS HARDWARE