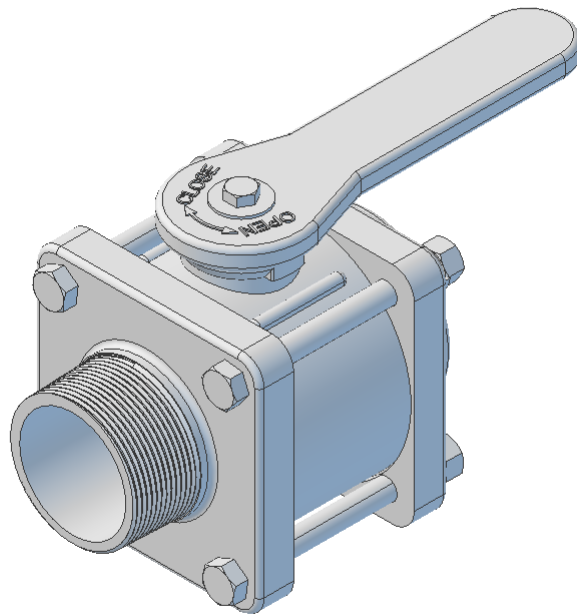




30112-A - 2INCH BOLTED BALL VALVE



MATERIAL - POLYPRO
TEFLON
VITON
SS HARDWARE