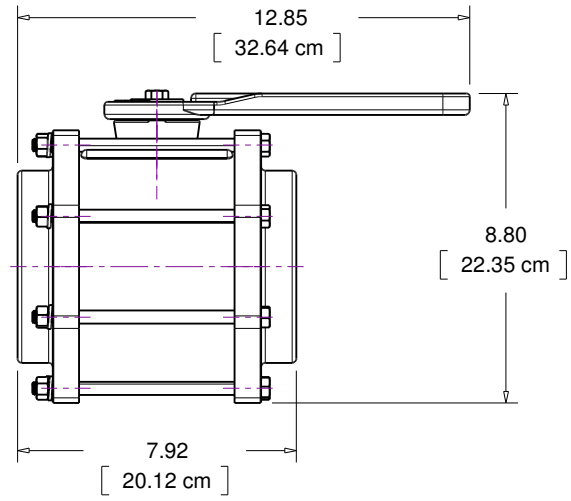
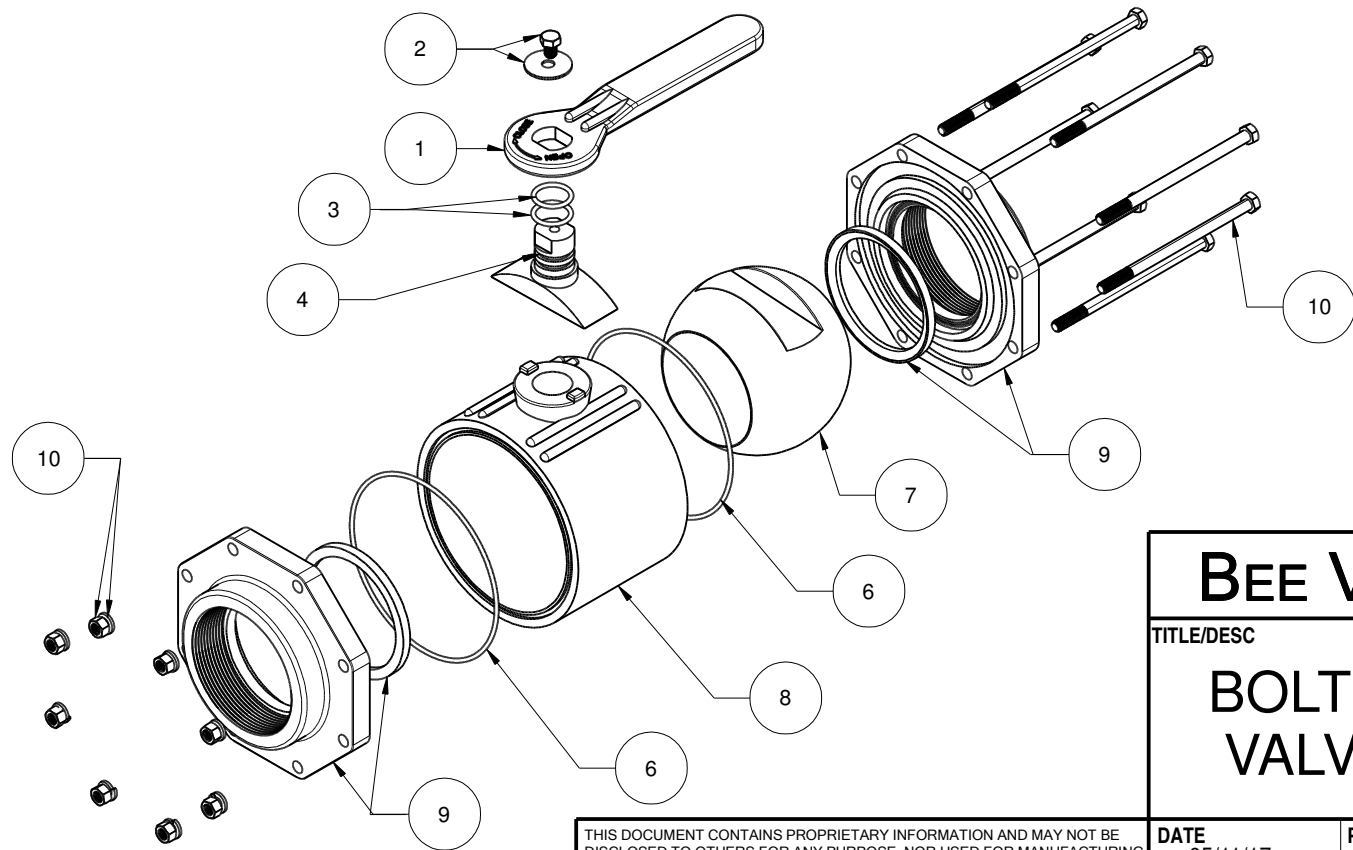


4" NPT



ITEM NO	QUANTITY	DESCRIPTION	PART NO
1	1	HANDLE, YELLOW POLYPRO	4H830-00
2	1	SS BOLT AND WASHER, HANDLE	4H349-10
3	2	VITON O-RING, SHAFT	4H817-00
4	1	SHAFT, POLYPRO, W/O-RING	4H818-00
5	2	SEAT, POLYTEF	4H821-00
6	2	VITON O-RING, BODY	4H822-00
7	1	BALL, POLYTEF	4H824-00
8	1	BODY, POLYPRO	4H823-00
9	2	ENDCAP, POLYPRO W/SEAT, POLYTEF	4H820-00
10	8	SS BOLT, WASHER & NUT	4H819-00



THIS DOCUMENT CONTAINS PROPRIETARY INFORMATION AND MAY NOT BE DISCLOSED TO OTHERS FOR ANY PURPOSE, NOR USED FOR MANUFACTURING PURPOSES WITHOUT THE WRITTEN PERMISSION OF BEE VALVE INC

<b>BEE VALVE, INC</b>		
TITLE/DESC <b>BOLTED BALL VALVE</b>		
DATE 05/11/17	PART NO <b>7012A-00</b>	MATERIAL SEE PARTS TABLE
		REV