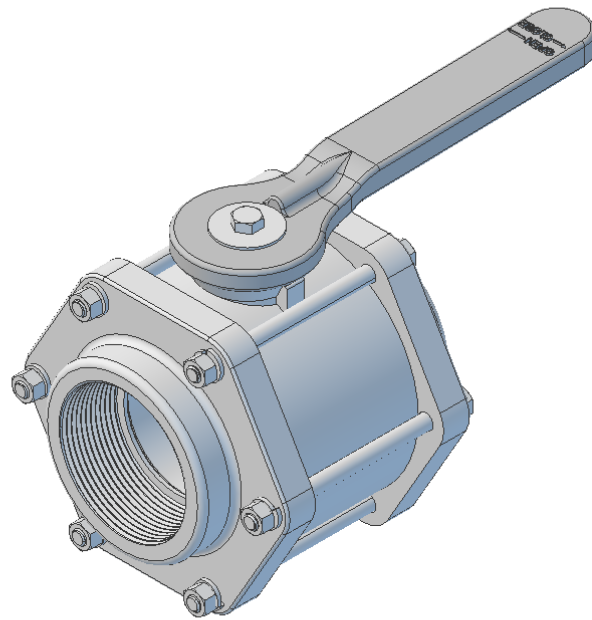




4012Z-20 - 3" FULL PORT - BOLTED BALL VALVE



MATERIAL - POLYPRO  
POLYTEF  
VITON  
SS HARDWARE