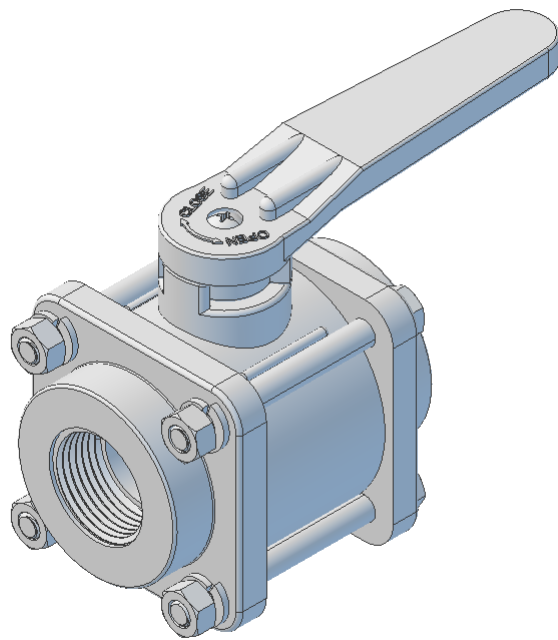




4012Y-20 - 1" FULL PORT - BOLTED BALL VALVE



MATERIAL - POLYPRO
POLYTEF
VITON
SS HARDWARE