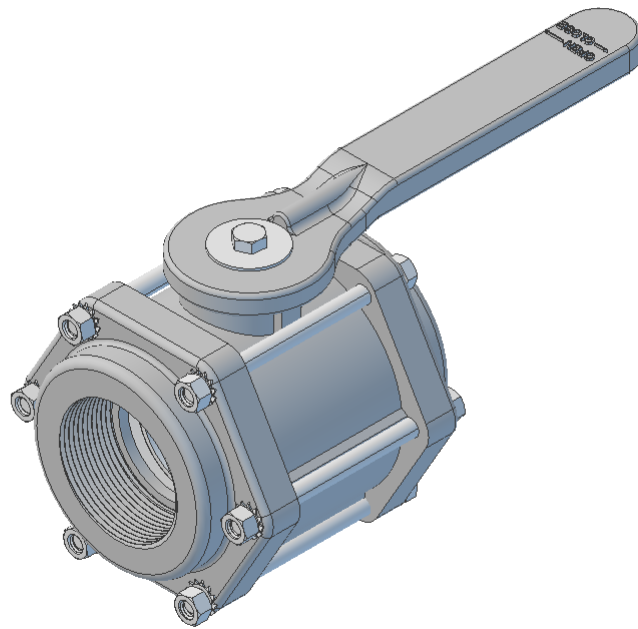




4012W-20 - 2 1/2" FULL PORT - BOLTED BALL VALVE



MATERIAL - POLYPRO
POLYTEF
VITON
SS HARDWARE