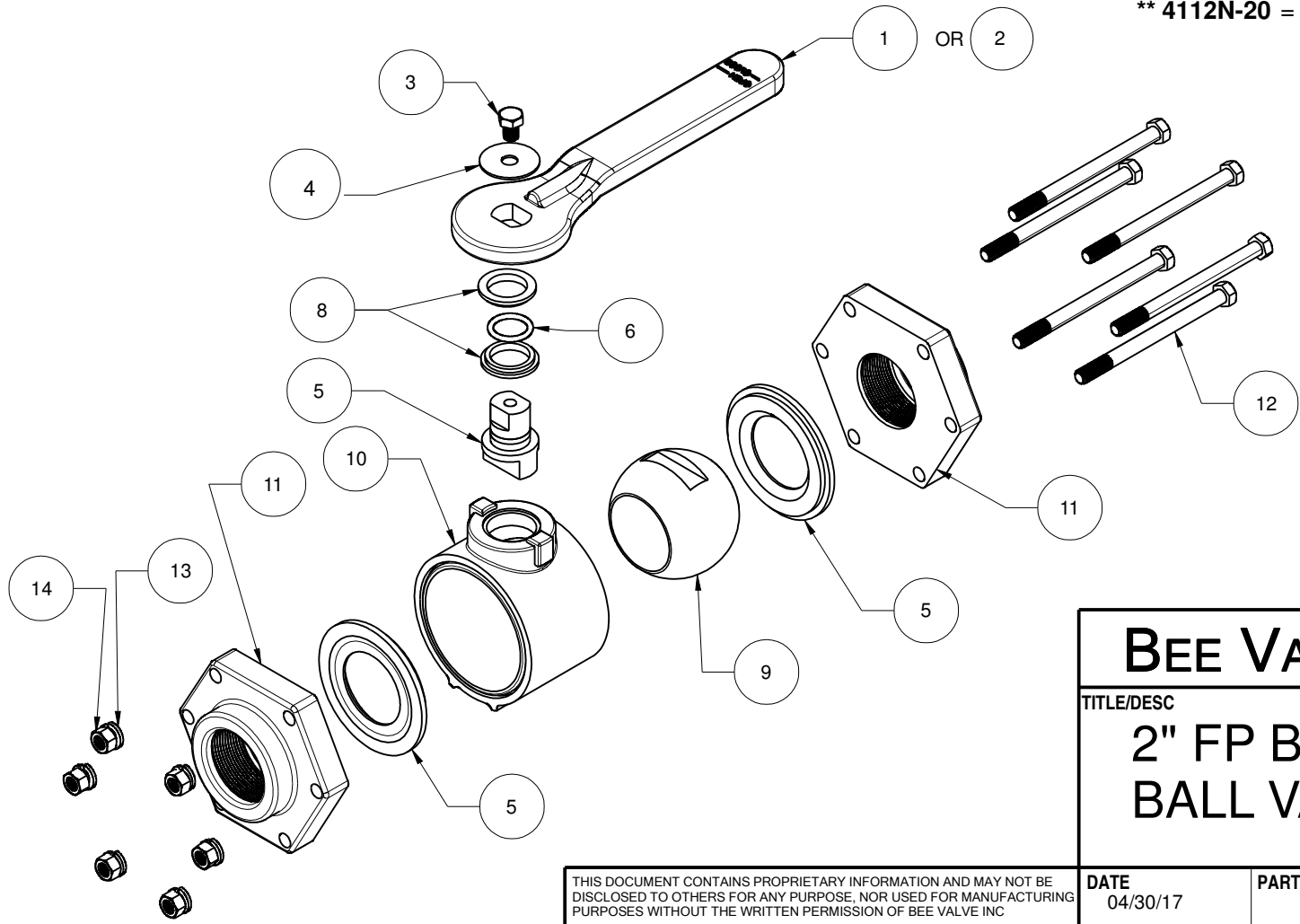



ITEM NO	QUANTITY	DESCRIPTION	PART NO
1	1	HANDLE, RED, POLYPRO	4L102-00
2	1	** HANDLE, YELLOW, POLYPRO	4L102-10
3	1	SS BOLT, HANDLE	4H029-20
4	1	SS WASHER, HANDLE	4H011-10
5	1	SHAFT, POLYPRO	4S303-00
6	1	VITON O-RING, SHAFT	4H039-00
7	2	SEAT, POLYTEF	4S103-20
8	2	BEARING, POLYTEF	4B302-20
9	1	BALL, POLYTEF	4B103-00
10	1	BODY, POLYPRO	4B203-00
11	2	END CAP, POLYPRO	4E112-00
12	6	BOLT, SS	4H003-00
13	6	WASHER, SS	4H018-00
14	6	NUT, SS	4H025-00

** 4112N-20 = VALVE W/ YELLOW HANDLE



BEE VALVE, INC		
TITLE/DESC 2" FP BOLTED BALL VALVE		
DATE 04/30/17	PART NO 4012N-20	MATERIAL SEEPARTS TABLE
THIS DOCUMENT CONTAINS PROPRIETARY INFORMATION AND MAY NOT BE DISCLOSED TO OTHERS FOR ANY PURPOSE, NOR USED FOR MANUFACTURING PURPOSES WITHOUT THE WRITTEN PERMISSION OF BEE VALVE INC		REV 09/12/19