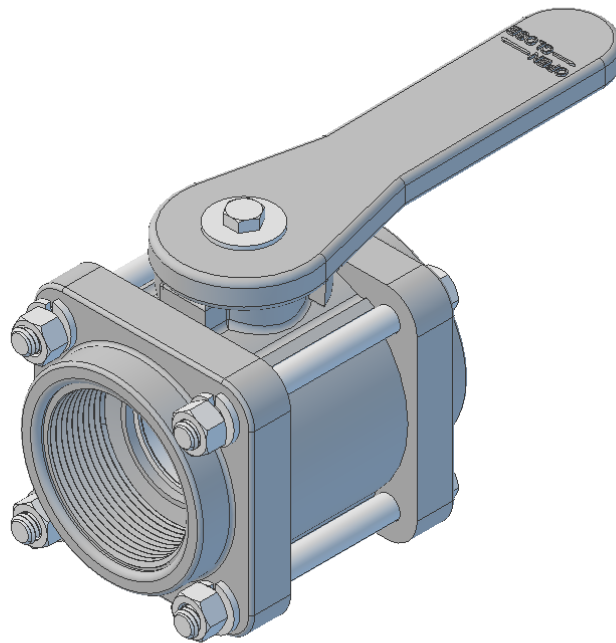




4012D-20 - 1 1/2" FULL PORT - BOLTED BALL VALVE



MATERIAL - POLYPRO
POLYTEF
VITON
SS HARDWARE