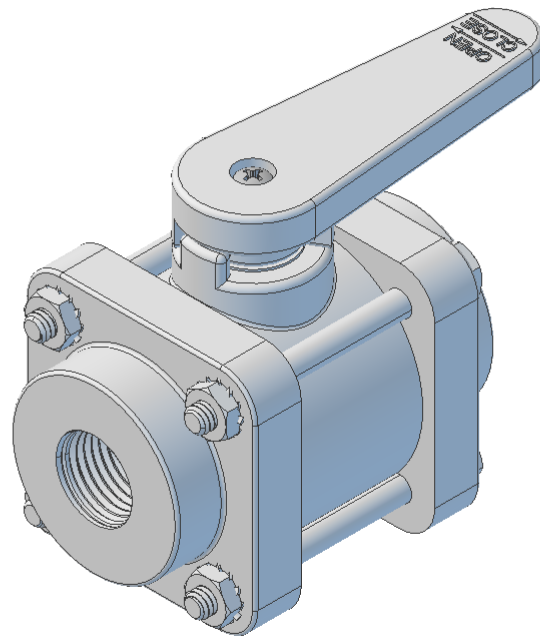


4012A-20 - 1/2" FULL PORT - BOLTED BALL VALVE



MATERIAL- POLYPROP
POLYTEF
VITON
SS HARDWARE