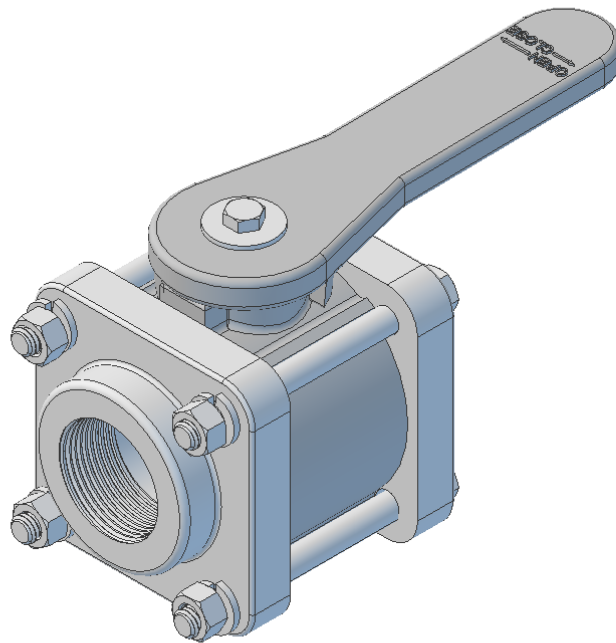


4011X-20 - 1 1/4 FULL PORT - BOLTED BALL VALVE



MATERIAL - POLYPRO  
POLYTEF  
VITON  
CAD HARDWARE