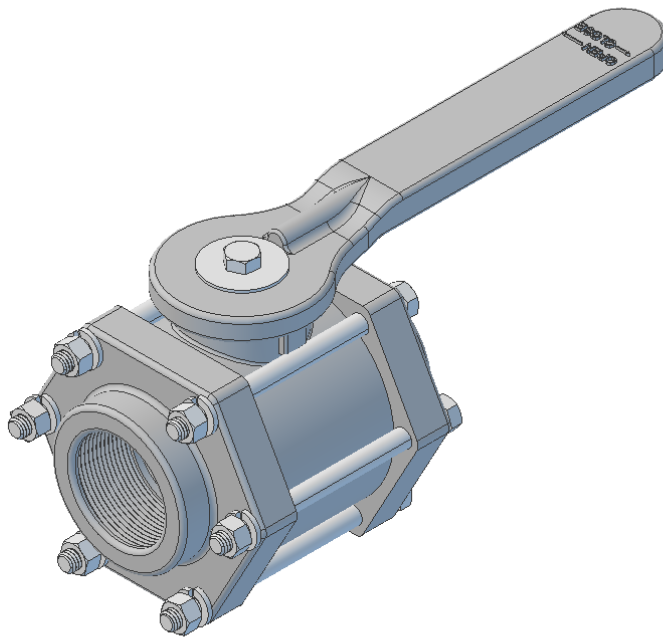




4011N-20 - 2" FULL PORT - BOLTED BALL VALVE



MATERIAL - POLYPRO  
POLYTEF  
VITON  
CAD HARDWARE