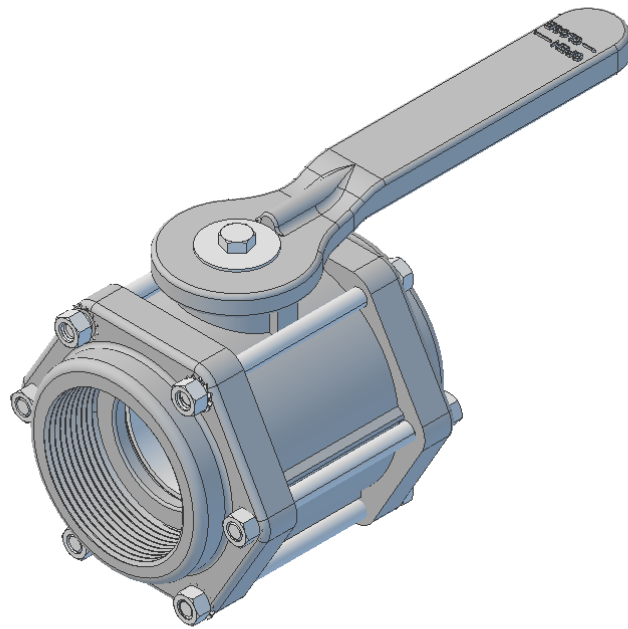




4011F-20 - 3" STD PORT - BOLTED BALL VALVE



MATERIAL - POLYPRO
POLYTEF
VITON
CAD HARDWARE