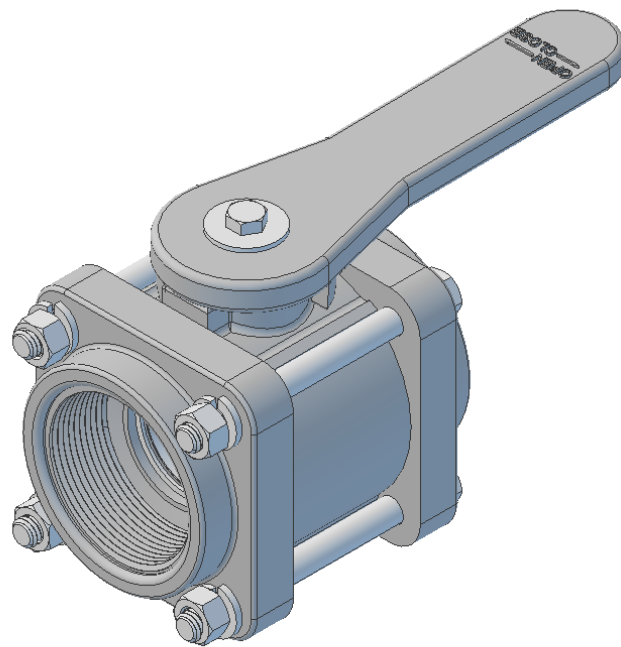




4011E-20 - 2" STD PORT- BOLTED BALL VALVE



MATERIAL - POLYPRO
POLYTEF
VITON
CAD HARDWARE