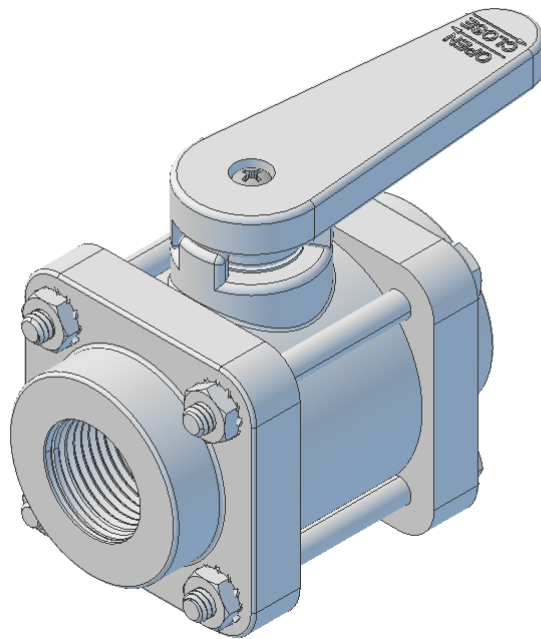


4011B-20 - 3/4 " FULL PORT - BOLTED BALL VALVE



MATERIAL - POLYPRO
POLYTEF
VITON
CAD HARDWARE