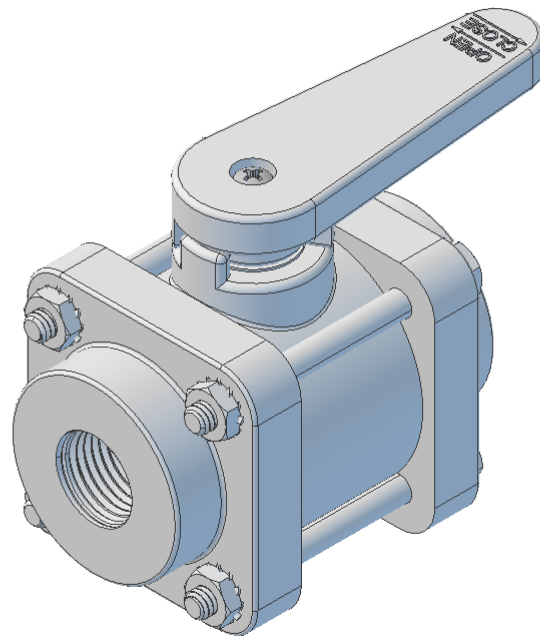


4011A-20 - 1/2" FULL PORT - BOLTED BALL VALVE



MATERIAL- POLYPRO
POLYTEF
VITON
CAD HARDWARE