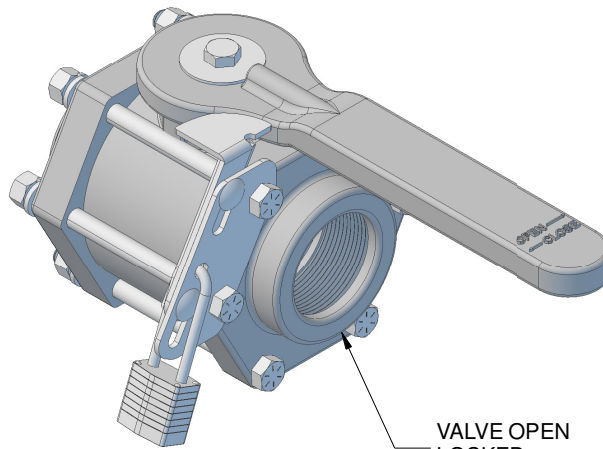
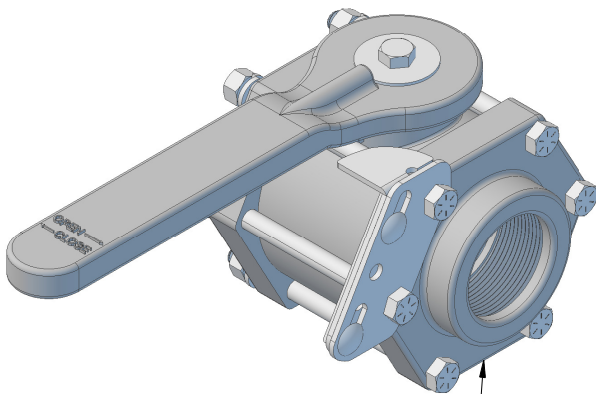


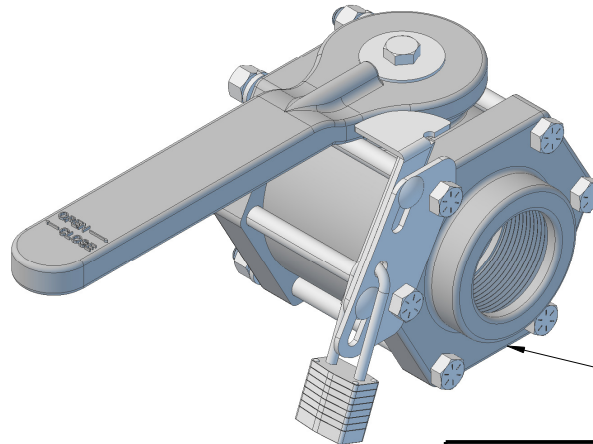
VALVE OPEN  
UNLOCKED



VALVE OPEN  
LOCKED



VALVE CLOSED  
UNLOCKED



VALVE CLOSED  
LOCKED

1. LOCKING HASP ASSEMBLY WORKS WITH VALVE SIZE 2" FP.
2. PADLOCK NOT INCLUDED.

**BEE VALVE, INC**

TITLE/DESC

**LOCKING HASP  
SIZE B**



MATERIAL  
PLATED STEEL

THIS DOCUMENT CONTAINS PROPRIETARY INFORMATION AND MAY NOT BE DISCLOSED TO OTHERS FOR ANY PURPOSE, NOR USED FOR MANUFACTURING PURPOSES WITHOUT THE WRITTEN PERMISSION OF BEE VALVE INC

DATE  
12/01/17

PART NO  
**4020B-00**

REV