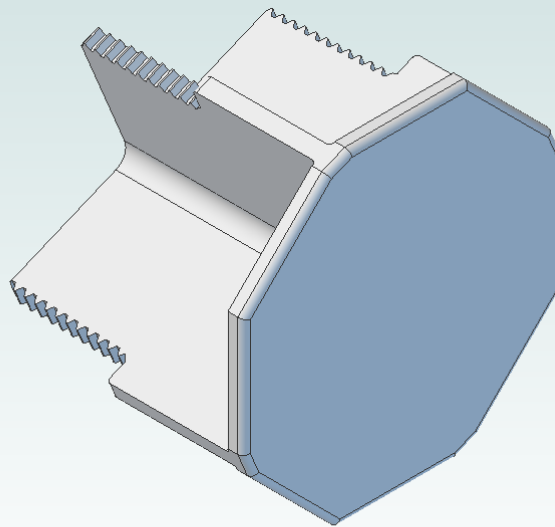


62399 - 2" ANTI-VORTEX ADAPTER



MATERIAL - POLYGLASS