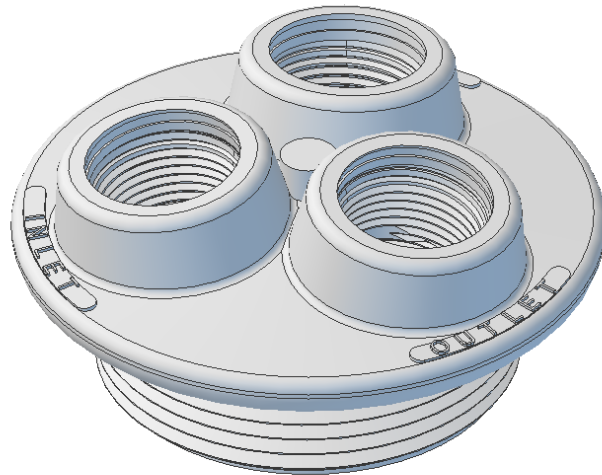


2-1/2" WATER TANK CAP



MATERIAL - POLYPROPYLENE