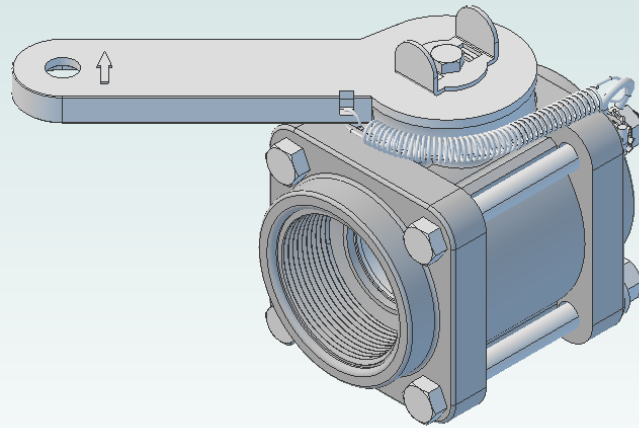


4012V-20 - 2" RATCHET RETURN BALL VALVE



MATERIAL - POLYPRO  
POLYTEF  
VITON  
SS HARDWARE