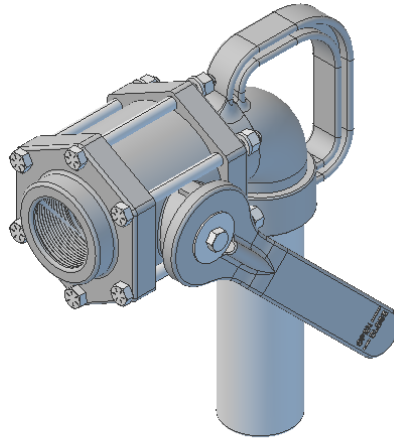


4011P-20 - 2 INCH NOZZLE VALVE



MATERIAL - POLYPRO  
POLYTEF  
VITON  
CAD HARDWARE